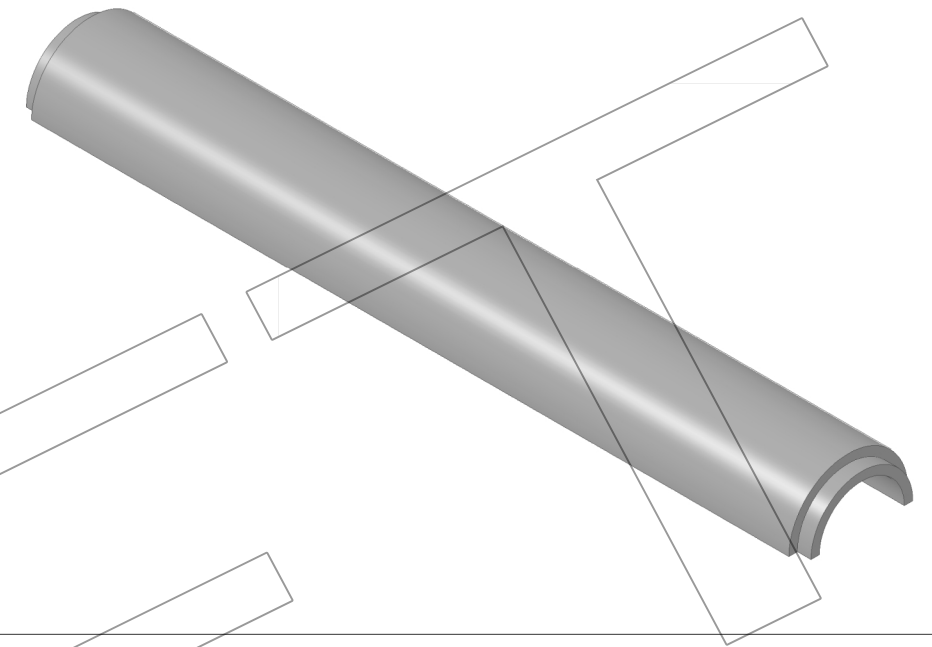
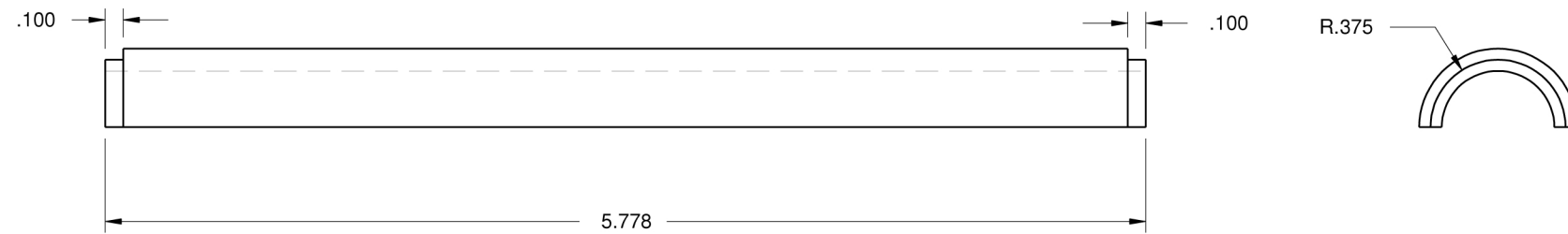
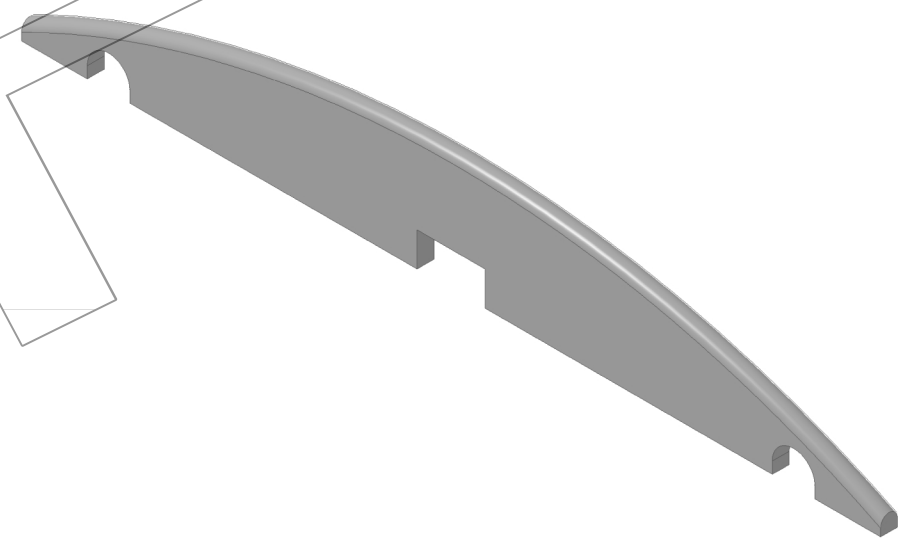
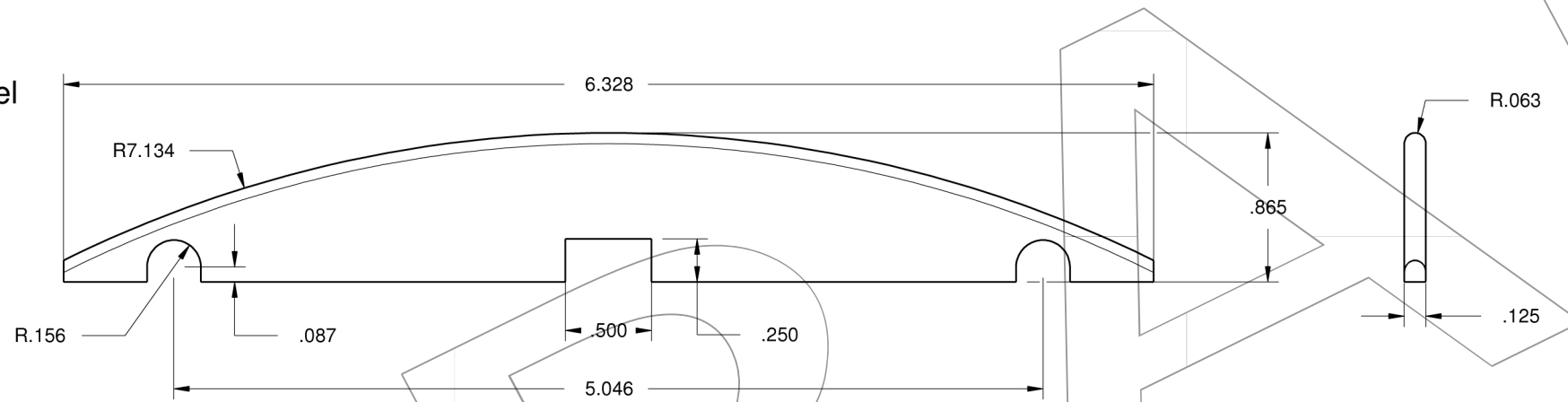


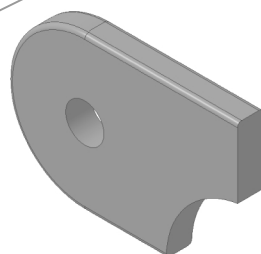
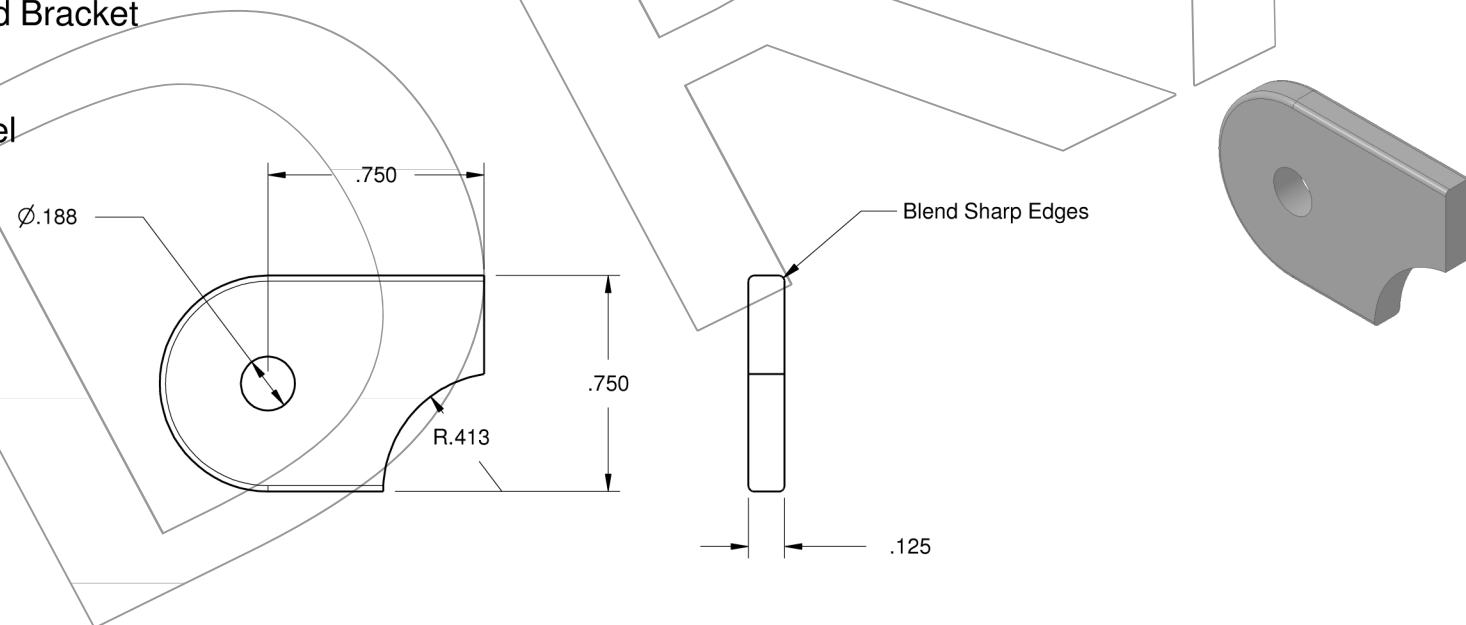
#6C-1 Support Tube  
 Qty. 1ea  
 Rev. 1  
 Material 1/2" Iron Pipe Cut In Half  
 Scale 1 : 1



#6C-2 Rib  
 Qty. 1ea  
 Rev. 1  
 Material: Steel  
 Scale 1:1



#6C-5 Hound Bracket  
 Qty 4ea  
 Rev. 1  
 Material: Steel  
 Scale 1.5:1



# LIGHTNING BALANCED ENGINE

MORRISON & MARVIN ENGINE WORKS

Box 555 Benton City, WA 99320 USA

DESIGNED BY Roland Morrison / Marvin Hedberg		DESCRIPTION <b>Front Axle Parts 2</b>	
DRAWN BY Dave Otto	DATE 11/21/2015		
MATERIAL	SIZE <b>B</b>	PART NO.	REV <b>1</b>
	SCALE	SHEET	